

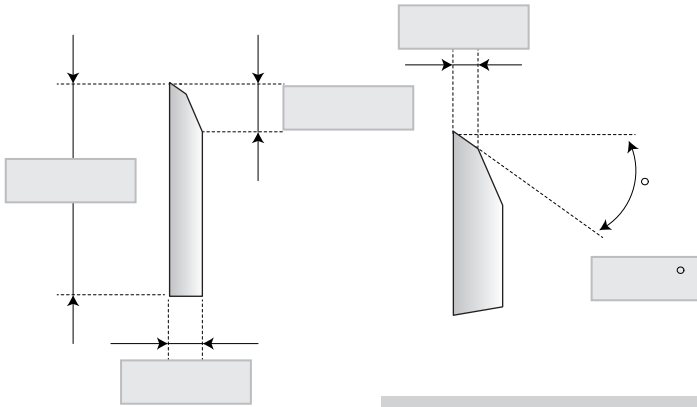
DATE

CUSTOMER

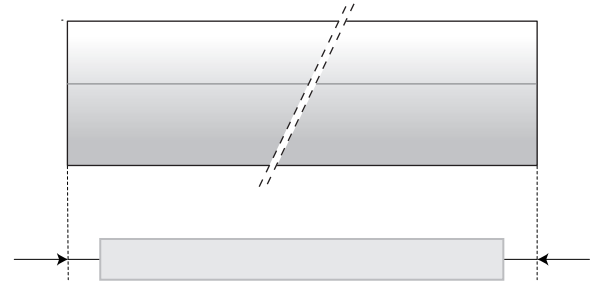
CONTACT

ADDRESS

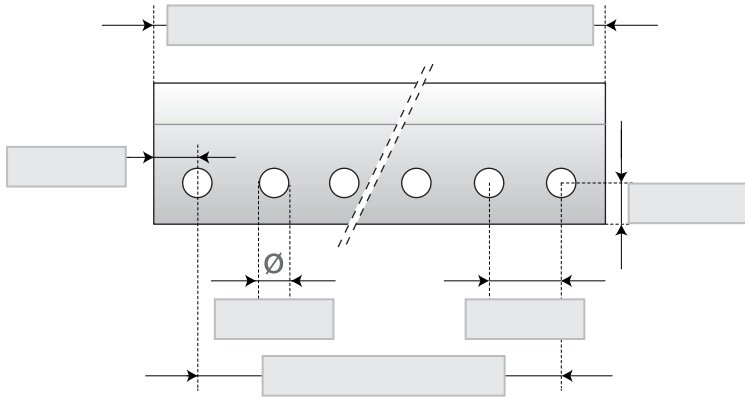
LEDGER BLADES



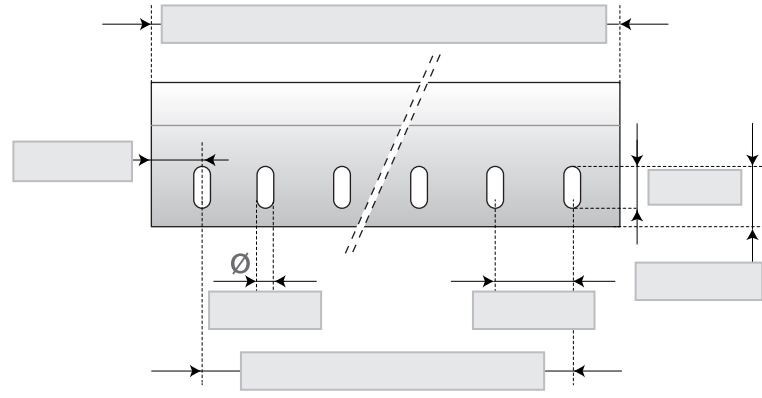
SPECIFICATIONS



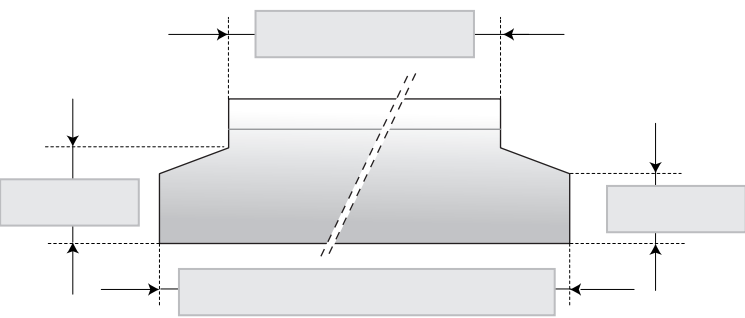
WITHOUT HOLES



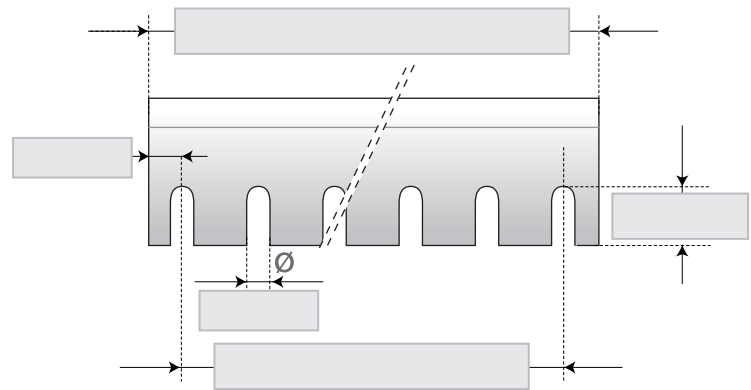
ROUND HOLES



LONG HOLES



WITHDRAWAL



OPEN HOLES

QUALITY OF BLADE

B-2 B-4 B-9

KIND OF FABRIC

NUMBER OF HOLES (pcs)

QUANTITY (pcs)

COMMENTS